

4

3

2

1

THIS DRAWING IS UNPUBLISHED.

RELEASED FOR PUBLICATION

2008

© COPYRIGHT 2008 BY -

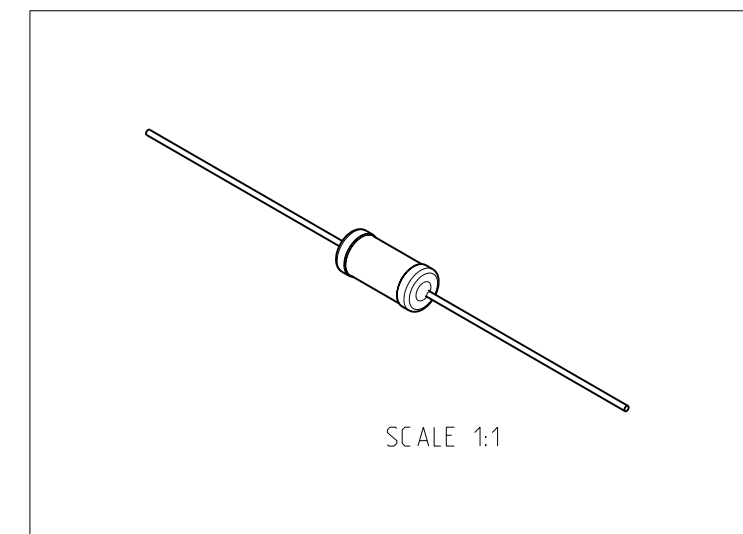
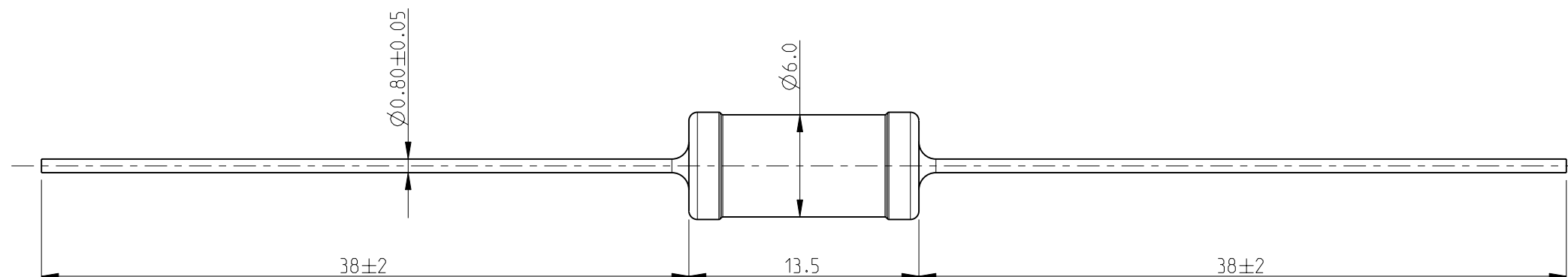
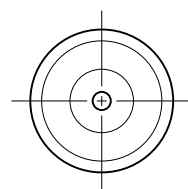
ALL RIGHTS RESERVED.

LOC E DIST B

REVISIONS

P	LTR	DESCRIPTION	DATE	DWN	APVD
	BA1	REVISED PER ECO-11-005150	29MAR2011	RK	HMR

1. PACKAGING: AMMO PACKED
2. FOR FURTHER INFORMATION SEE DATA SHEET FOR SERIES ER/ERV- HIGH POWER RESISTORS



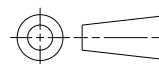
THIS DRAWING IS A CONTROLLED DOCUMENT.

DWN SUBHASH.M 28-JUL-09
 CHK ALLAN.P 28-JUL-09
 APVD STEPHEN.P 28-JUL-09

STE TE Connectivity

DIMENSIONS:

mm



TOLERANCES UNLESS OTHERWISE SPECIFIED:

0 PLC ± 0.2
 1 PLC ± 0.1
 2 PLC ± -
 3 PLC ± -
 4 PLC ± -
 ANGLES ± 5°

MATERIAL -

FINISH -

PRODUCT SPEC -

APPLICATION SPEC -

WEIGHT -

NAME HIGH POWER RESISTORS SERIES ER74

SIZE A3 CAGE CODE 00779 DRAWING NO. 1623746 RESTRICTED TO -

CUSTOMER DRAWING SCALE 3:1 SHEET 1 OF 1 REV BA1